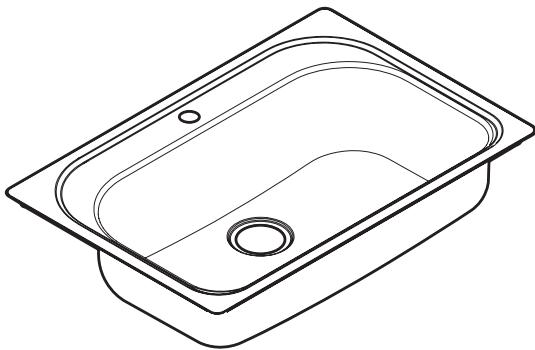




Buy it for looks. Buy it for life.®

# Specifications

Model Number	Depth-Inches	Number Of Holes	Drain Placement	Model Specified
G181631	7	n/a	Rear	



### SINK DESCRIPTION

- 1800 Series single bowl drop-in sink
- 18 gauge stainless steel
- Rear drain location
- 1 to 4 faucet holes as indicated
- Channel mounting system, hardware included
- SoundSHIELD sound absorbing system

### CUT OUT DIMENSIONS

- 32-1/2" x 21-1/2" with 3/8" corner radius

### STANDARDS

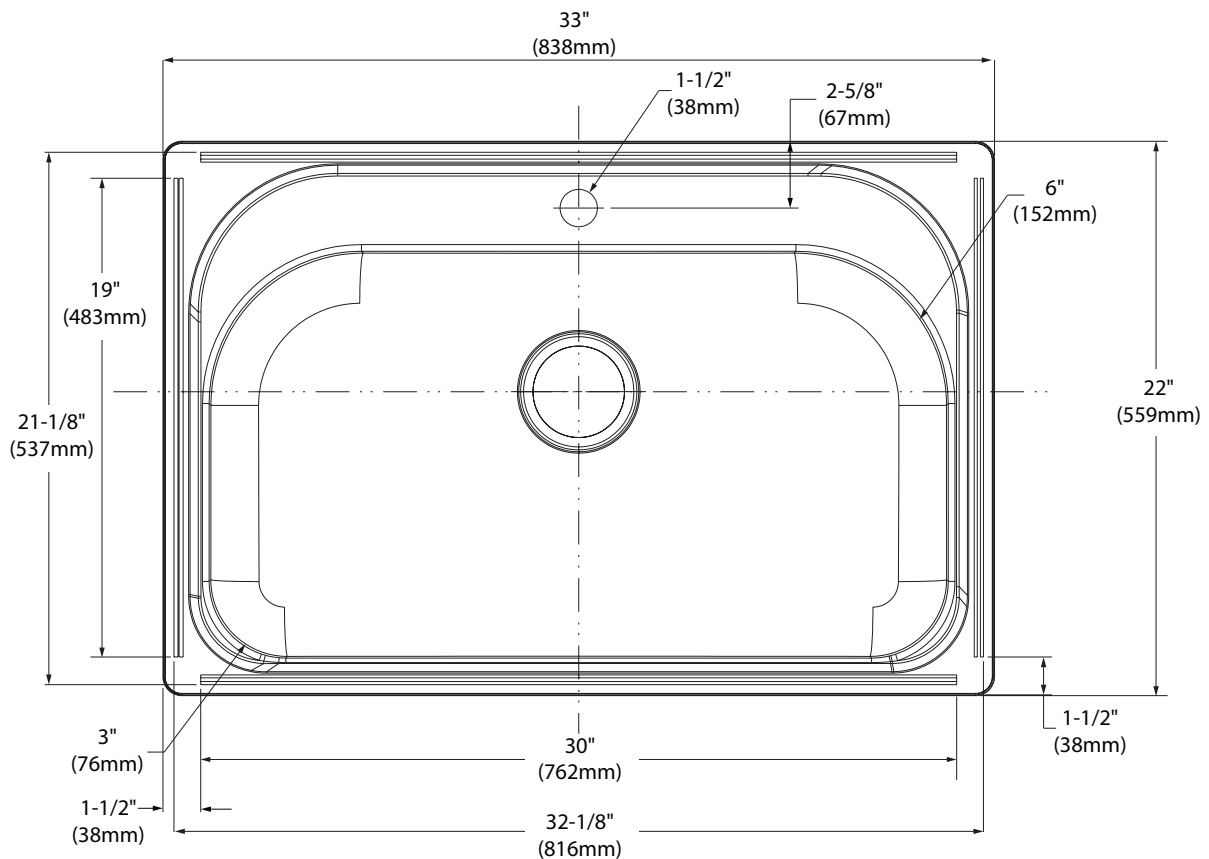
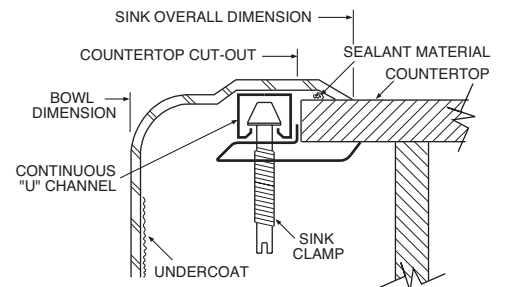
- Third party certified by IAPMO to meet ASME A112.19.3/CSA B45.4 and all applicable specifications referenced

### WARRANTY

- Limited lifetime warranty against material or manufacturing defects to the original consumer purchaser

MADE IN THE USA

### Installation Detail



### CRITICAL DIMENSIONS

(DO NOT SCALE)